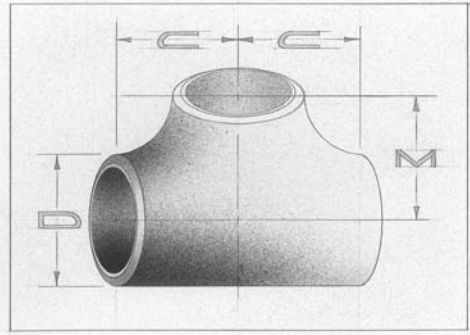


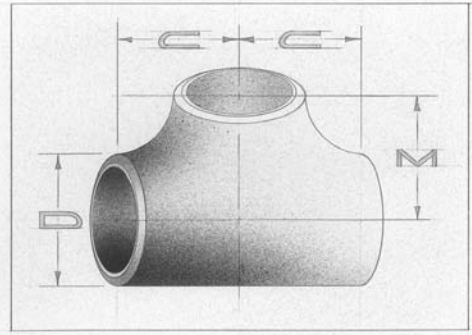
# Straight TEES



Key				Nominal Wall Thickness: inches mm Inside Diameter: inches mm Approximate Weight: Pounds (see page 3 for Kg)													
				Center-to-End				Schedule									
Nominal Pipe Size	"D" Outside Diameter at Bevel	"C" Run	"M" Outlet	L.W.G.	10	20	30	40	STD WT	60	XS	80	100	120	140	160	XXS
inches mm	inches mm	inches mm	inches mm														
½"	.84	1.00	1.00	-	-	-	-	.109	.109	-	.147	.147	-	-	-	.188	.294
				-	-	-	-	2.769	2.769	-	3.734	3.734	-	-	-	4.775	7.468
				-	-	-	-	.622	.622	-	.546	.546	-	-	-	.464	.252
				-	-	-	-	15.799	15.799	-	13.868	13.868	-	-	-	11.786	6.401
				-	-	-	-	0.3	0.3	-	0.3	0.3	-	-	-	-	-
¾"	1.05	1.13	1.13	-	-	-	-	.113	.113	-	.154	.154	-	-	-	.219	.308
				-	-	-	-	2.870	2.870	-	3.912	3.912	-	-	-	5.563	7.823
				-	-	-	-	.824	.824	-	.742	.742	-	-	-	.612	.434
				-	-	-	-	20.930	20.930	-	18.847	18.847	-	-	-	15.545	11.024
				-	-	-	-	0.4	0.4	-	0.5	0.5	-	-	-	0.7	1.2
1"	1.32	1.50	1.50	-	-	-	-	.133	.133	-	.179	.179	-	-	-	.250	.358
				-	-	-	-	3.378	3.378	-	4.547	4.547	-	-	-	6.350	9.093
				-	-	-	-	1.049	1.049	-	.957	.957	-	-	-	.815	.599
				-	-	-	-	26.645	26.645	-	24.308	24.308	-	-	-	20.701	15.215
				-	-	-	-	0.9	0.9	-	1.0	1.0	-	-	-	1.1	1.3
1¼"	1.66	1.88	1.88	-	-	-	-	.140	.140	-	.191	.191	-	-	-	.250	.382
				-	-	-	-	3.556	3.556	-	4.851	4.851	-	-	-	6.350	9.703
				-	-	-	-	1.380	1.380	-	1.278	1.278	-	-	-	1.160	.896
				-	-	-	-	35.052	35.052	-	32.461	32.461	-	-	-	29.464	22.758
				-	-	-	-	1.6	1.6	-	2.0	2.0	-	-	-	2.1	2.3
1½"	1.90	2.25	2.25	-	-	-	-	.145	.145	-	.200	.200	-	-	-	.281	.400
				-	-	-	-	3.683	3.683	-	5.080	5.080	-	-	-	7.137	10.160
				-	-	-	-	1.610	1.610	-	1.500	1.500	-	-	-	1.338	1.100
				-	-	-	-	40.894	40.894	-	38.100	38.100	-	-	-	33.985	27.940
				-	-	-	-	2.1	2.1	-	2.8	2.8	-	-	-	3.0	3.4
2"	2.38	2.50	2.50	-	-	-	-	.154	.154	-	.218	.218	-	-	-	.344	.436
				-	-	-	-	3.912	3.912	-	5.537	5.537	-	-	-	8.738	11.074
				-	-	-	-	2.067	2.067	-	1.939	1.939	-	-	-	1.687	1.503
				-	-	-	-	52.502	52.502	-	49.251	49.251	-	-	-	42.850	38.176
				-	-	-	-	3.3	3.3	-	3.9	3.9	-	-	-	4.5	5.2
2½"	2.88	3.00	3.00	-	-	-	-	.203	.203	-	.276	.276	-	-	-	.375	.552
				-	-	-	-	5.156	5.156	-	7.010	7.010	-	-	-	9.525	14.021
				-	-	-	-	2.469	2.469	-	2.323	2.323	-	-	-	2.125	1.771
				-	-	-	-	62.713	62.713	-	59.004	59.004	-	-	-	53.975	44.983
				-	-	-	-	5.9	5.9	-	6.7	6.7	-	-	-	7.0	9.6
3"	3.50	3.38	3.38	-	-	-	-	.216	.216	-	.300	.300	-	-	-	.438	.600
				-	-	-	-	5.486	5.486	-	7.620	7.620	-	-	-	11.125	15.240
				-	-	-	-	3.068	3.068	-	2.900	2.900	-	-	-	2.624	2.300
				-	-	-	-	77.927	77.927	-	73.660	73.660	-	-	-	66.650	58.420
				-	-	-	-	7.6	7.6	-	9.0	9.0	-	-	-	11.5	13.5
3½"	4.00	3.75	3.75	-	-	-	-	.226	.226	-	.318	.318	-	-	-	-	.636*
				-	-	-	-	5.740	5.740	-	8.077	8.077	-	-	-	-	16.154
				-	-	-	-	3.548	3.548	-	3.364	3.364	-	-	-	-	2.728
				-	-	-	-	90.119	90.119	-	85.446	85.446	-	-	-	-	69.291
				-	-	-	-	10.5	10.5	-	13.0	13.0	-	-	-	-	23.0
4"	4.50	4.13	4.13	.188	-	-	-	.237	.237	-	.337	.337	-	.438	-	.531	.674
				4.775	-	-	-	6.020	6.020	-	8.560	8.560	-	11.125	-	13.487	17.120
				4.124	-	-	-	4.026	4.026	-	3.826	3.826	-	3.624	-	3.438	3.152
				104.749	-	-	-	102.260	102.260	-	97.180	97.180	-	92.050	-	87.325	80.061
				8.95	-	-	-	12.2	12.2	-	15.7	15.7	-	20.3	-	21.5	25.0
5"	5.56	4.88	4.88	-	-	-	-	.258	.258	-	.375	.375	-	.500	-	.625	.750
				-	-	-	-	6.553	6.553	-	9.525	9.525	-	12.700	-	15.875	19.050
				-	-	-	-	5.047	5.047	-	4.813	4.813	-	4.563	-	4.313	4.063
				-	-	-	-	128.194	128.194	-	122.250	122.250	-	115.900	-	109.550	103.200
				-	-	-	-	21.5	21.5	-	26.0	26.0	-	33.4	-	37.0	39.5

\*Not given in ASME B36.10

# Straight TEES



Key				Nominal Wall Thickness: inches mm Inside Diameter: inches mm Approximate Weight: Pounds (see page 3 for Kg)															
				Center-to-End				Schedule											
Nominal Pipe Size	"D" Outside Diameter at Bevel	"C" Run	"M" Outlet	L.W.G.	10	20	30	40	STD WT	60	XS	80	100	120	140	160	XXS		
inches mm	inches mm	inches mm	inches mm																
6"	6.63	5.63	5.63	.219	-	-	-	.280	.280	-	.432	.432	-	.562	-	.719	.864		
				5.563	-	-	-	7.112	7.112	-	10.973	10.973	-	14.275	-	18.263	21.946		
				6.187	-	-	-	6.065	6.065	-	5.761	5.761	-	5.501	-	5.187	4.897		
				157.150	-	-	-	154.051	154.051	-	146.329	146.329	-	139.725	-	131.750	124.384		
				24.5	-	-	-	33.9	33.9	-	44.0	44.0	-	53.4	-	63.0	66.0		
8"	8.63	7.00	7.00	.219	-	.250	.277	.322	.322	.406	.500	.500	.594	.719	.812	.906	.875		
				5.563	-	6.350	7.036	8.179	8.179	10.312	12.700	12.700	15.088	18.263	20.625	23.012	22.225		
				8.187	-	8.125	8.071	7.981	7.981	7.813	7.625	7.625	7.437	7.187	7.001	6.813	6.875		
				203.20	-	206.375	205.003	202.717	202.717	198.450	193.675	193.675	188.900	182.550	177.825	173.050	174.625		
				30.0	-	36.0	49.1	54.2	54.2	64.6	75.5	75.5	81.5	89.0	97.5	114.0	110.0		
10"	10.75	8.50	8.50	.219	-	.250	.307	.365	.365	.500	.500	.594	.719	.844	1.000	1.125	1.000		
				5.563	-	6.350	7.798	9.271	9.271	12.700	12.700	15.088	18.263	21.438	25.400	28.575	25.400		
				10.312	-	10.250	10.136	10.020	10.020	9.750	9.750	9.562	9.312	9.062	8.750	8.500	8.750		
				254.00	-	260.350	257.454	254.508	254.508	247.650	247.650	242.875	236.525	230.175	222.250	215.900	215.900		
				55.5	-	64.5	76.2	87.5	87.5	110.0	110.0	163.0	187.0	218.0	246.0	265.0	-		
12"	12.75	10.00	10.00	.250	-	.250	.330	.406	.375	.562	.500	.688	.844	1.000	1.125	1.312	1.000		
				6.350	-	6.350	8.382	10.312	9.525	14.275	12.700	17.475	21.438	25.400	28.575	33.325	25.400		
				12.250	-	12.250	11.938	11.938	12.000	11.626	11.750	11.374	11.062	10.750	10.500	10.126	10.750		
				304.80	-	311.150	307.086	303.225	304.800	295.300	298.450	288.900	280.975	273.050	266.700	257.200	273.050		
				99.5	-	99.5	118.0	139.0	126.0	187.0	165.0	210.0	318.0	361.0	412.0	389.0	-		
14"	14.00	11.00	11.00	.250	.250	.312	.375	.438	.375	.594	.500	.750	.938	1.094	1.250	1.406	-		
				6.350	6.350	7.925	9.525	11.125	9.525	15.088	12.700	19.050	23.825	27.788	31.750	35.712	-		
				13.500	13.500	13.376	13.250	13.124	13.250	12.812	13.000	12.500	12.124	11.812	11.500	11.188	-		
				355.60	355.60	279.40	279.40	342.900	342.900	339.750	336.550	336.550	325.425	330.200	317.500	307.950	300.025	292.100	284.175
				126.0	126.0	141.0	159.0	195.0	159.0	225.0	225.0	335.0	402.0	445.0	510.0	561.0	-		
16"	16.00	12.00	12.00	.250	.250	.312	.375	.500	.375	.656	.500	.844	1.031	1.219	1.438	1.594	-		
				6.350	6.350	7.925	9.525	12.700	9.525	16.662	12.700	21.438	26.187	30.963	36.525	40.488	-		
				15.500	15.500	15.376	15.250	15.000	15.250	14.688	15.000	14.312	13.938	13.562	13.124	12.812	-		
				406.40	406.40	304.80	304.80	393.700	393.700	390.550	387.350	381.000	387.350	373.075	381.000	363.525	354.025	344.475	333.350
				147.0	147.0	186.0	220.0	265.0	220.0	312.0	265.0	452.0	536.0	618.0	704.0	768.0	-		
18"	18.00	13.50	13.50	.250	.250	.312	.438	.562	.375	.750	.500	.938	1.156	1.375	1.562	1.781	-		
				6.350	6.350	7.925	11.125	14.275	9.525	19.050	12.700	23.825	29.362	34.925	39.675	45.237	-		
				17.500	17.500	17.376	17.124	16.876	17.250	16.500	17.000	16.124	15.688	15.250	14.876	14.438	-		
				457.20	457.20	342.90	342.90	444.500	444.500	441.350	434.950	428.650	438.150	419.100	431.800	409.550	398.475	387.350	377.850
				197.0	197.0	230.0	310.0	360.0	295.0	490.0	358.0	650.0	788.0	864.0	995.0	1345.0	-		
20"	20.00	15.00	15.00	.250	.250	.375	.500	.594	.375	.812	.500	1.031	1.281	1.500	1.750	1.969	-		
				6.350	6.350	9.525	12.700	15.088	9.525	20.625	12.700	26.187	32.537	38.100	44.450	50.013	-		
				19.500	19.500	19.250	19.000	18.812	19.250	18.376	19.000	17.938	17.438	17.000	16.500	16.062	-		
				508.00	508.00	381.00	381.00	495.300	495.300	488.950	482.600	477.825	488.950	466.750	482.600	455.625	442.925	431.800	419.100
				246.0	246.0	363.0	450.0	478.0	363.0	657.0	450.0	890.0	1005.0	1136.0	1310.0	1536.0	-		
22"	22.00	16.50	16.50	-	.250	.375	.500	-	.375	.875	.500	1.125	1.375	1.625	1.875	2.125	-		
				-	6.350	9.525	12.700	-	9.525	22.225	12.700	28.575	34.925	41.275	47.625	53.975	-		
				-	21.500	21.250	21.000	-	21.250	20.250	21.000	19.750	18.750	18.250	17.750	17.250	-		
				558.80	558.80	419.10	419.10	-	546.100	539.750	533.400	-	539.750	514.350	533.400	501.650	488.950	476.250	463.550
				-	-	-	-	-	449.0	-	540.0	-	-	-	-	-	-		
24"	24.00	17.00	17.00	.250	.250	.375	.562	.688	.375	.969	.500	1.219	1.531	1.812	2.062	2.344	-		
				6.350	6.350	9.525	14.275	17.475	9.525	24.613	12.700	30.963	38.887	46.025	52.375	59.538	-		
				23.500	23.500	23.250	22.876	22.624	23.250	22.062	23.000	21.562	20.938	20.376	19.876	19.312	-		
				609.60	609.60	431.80	431.80	596.900	596.900	590.550	581.050	574.650	590.550	560.375	584.200	547.675	531.825	517.550	504.850
				392.0	392.0	515.0	740.0	1080.0	515.0	1390.0	625.0	1525.0	1627.0	1856.0	2149.0	2601.0	-		
30"	30.00	22.00	22.00	-	.312	.500	.625	-	.375	-	.500	-	-	-	-	-	-		
				-	7.925	12.700	15.875	-	9.525	-	12.700	-	-	-	-	-	-	-	-
				-	29.376	29.000	28.750	-	29.250	-	29.000	-	-	-	-	-	-	-	-
				762.00	762.00	558.80	558.80	-	746.150	736.600	730.250	-	742.950	-	736.600	-	-	-	-
				-	930.0	1175.0	1490.0	-	1010.0	-	1175.0	-	-	-	-	-	-		